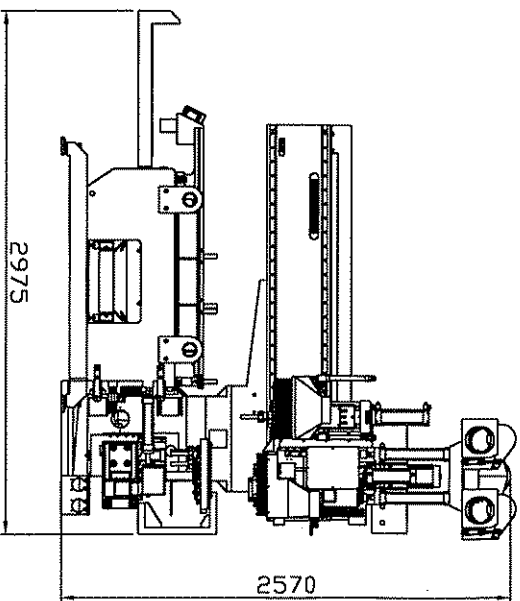


|                 |  |                     |
|-----------------|--|---------------------|
| MODEL           | X AXIS                                 | 3525mm              |
|                 | Y AXIS                                 | 1570mm              |
| STROKE          | Z AXIS                                 | 250mm               |
|                 | WORKING LENGTH                         | 3200mm              |
| WORKING AREA    | WORKING WIDTH                          | 1450mm              |
|                 | WORKING HEIGHT                         | 200mm               |
|                 | X AXIS                                 | 80m/min             |
| MAX FEED SPEED  | Y AXIS                                 | 60m/min             |
|                 | Z AXIS                                 | 20m/min             |
| POD & RAIL      | 6 UNITS ( 3 VACUUM CUPS FOR EACH RAIL) |                     |
|                 | MOTOR POWER                            | 10HP (7.5KW)        |
| No:1ROUTER HEAD | SPINDLE NOSE                           | HSK-63F             |
| ATC             | ROTATION SPEED                         | 1000-24000RPM       |
|                 | SPRANK OF TOOL                         | MAX:25mm            |
|                 | TOOL MAGAZINE                          | 8(TOOL5             |
|                 | NO. OF VERTICAL SPINDLES               | 1(67*10)            |
|                 | NO. OF END BORING ON X AXIS            | 3+3                 |
|                 | NO. OF END BORING ON Y AXIS            | 1+1                 |
| No:2BORING HEAD | MOTOR POWER                            | 3HP                 |
| & GROOVING SAW  | ROTATION SPEED                         | 4800RPM             |
|                 | SAW POSITIONS                          | 0 & 90°             |
|                 | SAW ID                                 | 30mm (25.4mm)       |
|                 | SAW OD                                 | 120mm               |
|                 | ROTATION SPEED                         | 4500RPM             |
| AIR PRESSURE    | VACUUM PUMP                            | 6kg/cm <sup>2</sup> |
| WEIGHT          | CONTROLLER                             | 90m <sup>2</sup> /h |
|                 |  | 4000KG              |
|                 |  | SYNTEC              |



The diagram of machine dimension FIG.2